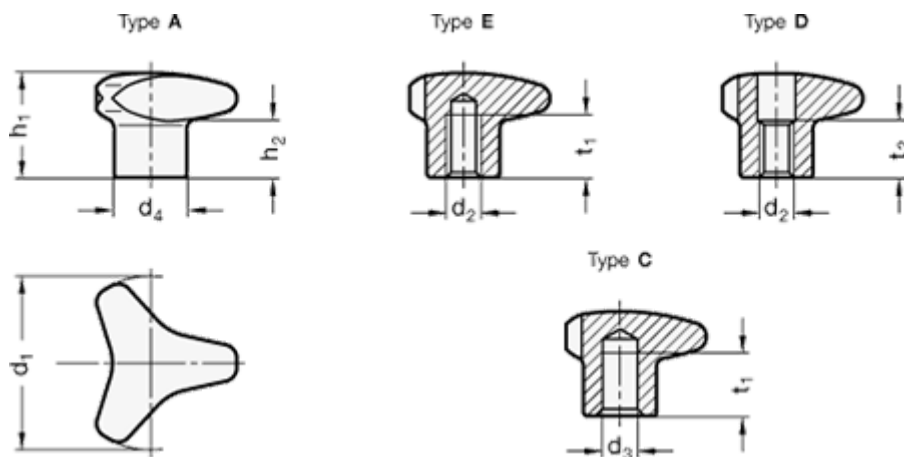


Article number: 20534560M12D

Description: E+G Three-star knobs - GN 5345-60-M12-D

## Measures



d1	= 60
d2	= M12
d3 H7	= -
d4	= -
h1	= 35
h2	= 18
t1 min.	= -
t2	= 20

Weight (g) = 230